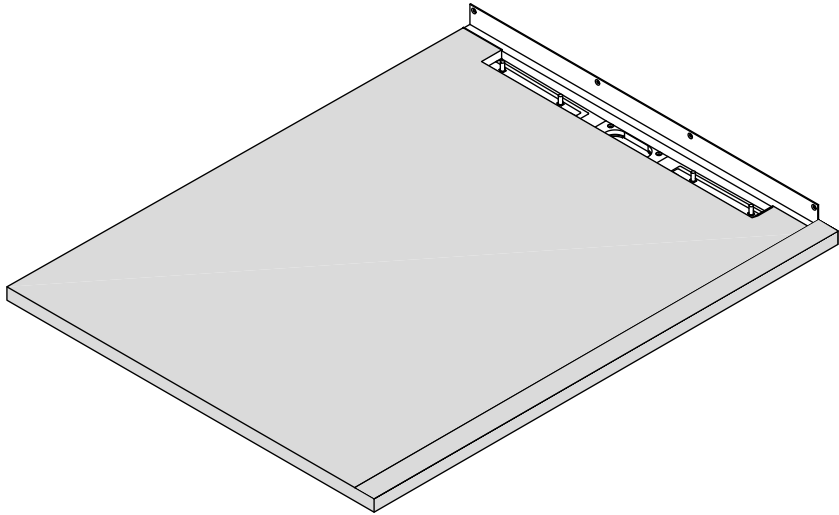


INSTALLATION GUIDE



INFINITY SINGLE FALL

Wetroom Shower Tray Corner Installation

YouTube

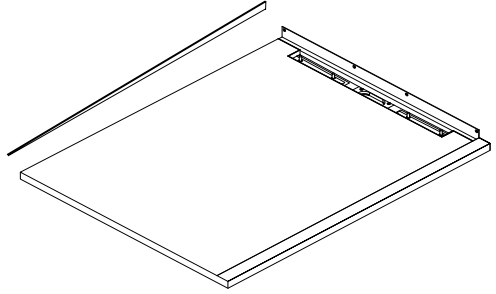
SCAN TO WATCH



TYPICAL PARTS REQUIRED

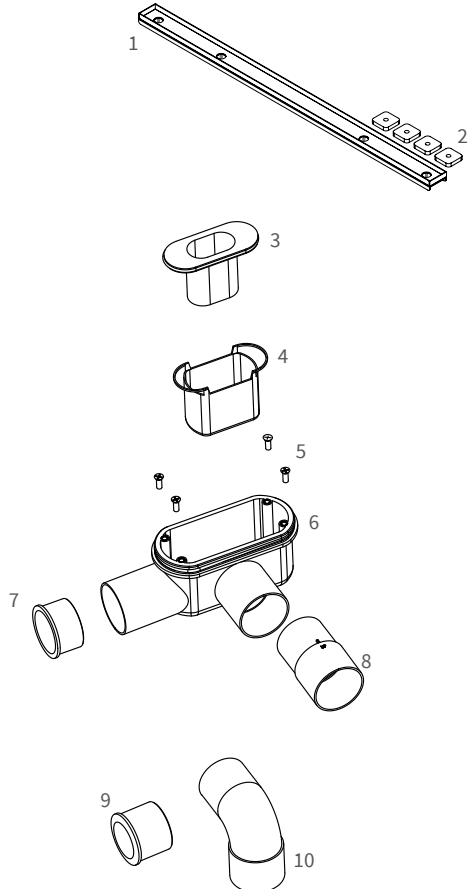
Shower Tray

Edge Trim

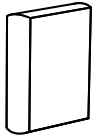


WASTE KIT (TYPICAL PARTS)

1. Finishing Grate
2. Height Adjustment Nuts
3. Drain Top
4. Internal Bowl
5. M6 Hex Screws
6. Shower Trap
7. Stop Cap
8. Fall Adaptor
9. Drain Reducer
10. 90° Adaptor



FITTING KIT (TYPICAL PARTS)



Fix-KST
Adhesive Bag



Self-Adhesive
Waterproofing
Tape



Wood Floor
Primer



Fix-MD
Adhesive Tube



Seam Roller



Preformed
Internal Corner

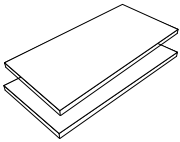


Protective
Gloves



Paintbrush

PARTS YOU MAY ALSO REQUIRE BEFORE YOU START



10mm Waterproof
Floor Boards



Washers
& Screws



Waterproofing
Tape



Pro-SEAL
Pre-MIX

TOOLS REQUIRED (NOT SUPPLIED)

- Paint Brush (wood floors only)
- Tape Measure
- Pencil
- Straight Edge
- Hard Point Saw
- Circular Saw
- Electric Drill
- Breathing Protection
- Bucket
- Wood Bit
- Solvent Weld Waste Adhesive
- Sealant Gun
- Timber Batten (approx. 20mm x 50mm)
- Screwdriver PZ2
- Plywood 18mm (size depends on room)
- Jigsaw
- Measuring Jug
- Eye Protection



BEFORE YOU START



- IMPORTANT INFORMATION -

PLEASE READ THESE INSTRUCTIONS THOROUGHLY BEFORE STARTING INSTALLATION

IT IS CRITICAL TO THE CORRECT FUNCTIONING OF THE WASTE THAT ALL CUTS IN FLOORBOARDS TO ACCOMODATE THE WASTE AND TRAP MUST BE MADE TO THE DIMENSIONS SPECIFIED IN THE FOLLOWING INSTRUCTIONS.

ALWAYS ENSURE THERE IS NO MOVEMENT ANYWHERE IN THE 18MM PLY, ESPECIALLY AROUND THE HOLE CUT THROUGH THE 18MM PLY FOR THE WASTE

DO NOT PLACE STEP LADDERS OR HEAVY ITEMS ON THE SHOWER TRAY OR TRAY EXTENSION PRIOR TO TILING AS THIS COULD PUNCH A HOLE THROUGH THE SURFACE.

WHEN DRILLING OR FIXING INTO WALLS OR FLOORS IT IS ESSENTIAL TO CHECK FOR PIPES AND WIRES BEFORE COMMENCING.

If your product has slightly damaged edges, there is no need to return the product as these can easily be repaired and most minor damage will naturally be covered during installation.

Should you need to patch a repair that won't be naturally covered you should do so in the same way as you would seal a joint with Waterproofing Tape and Pro-SEAL Tape Sealer.

- IMPORTANT TILING ADVICE -

IT IS ESSENTIAL THAT YOU DO NOT USE A READY MIXED TILE ADHESIVE.

S1 flexible cement based powdered adhesive must be used with tileable shower trays.

ELECTRICAL UNDER TILE HEATING

Tileable shower trays are ideal for use with electrical under tile heating due to its excellent thermal properties. It is however essential that you check with the manufacturer that their product is entirely suitable for the area that you intend to install it in. If you are installing under tile heating it is essential that you consider any areas that will need products fixed to the floor for example shower screens. Avoid installing under tile heating directly below any fixing point to avoid the risk of damage to the heating mat.

SITE PREPARATION

- All floor types need to be clean, dry and dust free.
- All floor types need to be as flat and level as possible.
- Prior to installation you will need to have access to a wastepipe in the correct position. Please ensure that the wastepipe is accessible and any alterations to the floor are completed prior to installation.
- If you are running your pipe work below the floor, the waste pipe must run in the same direction as your floor joists so please check your joists before starting installation.
- When you are ready to start, make sure that you have all required tools to hand and that the installation area is clean and dry.

SAFETY SYMBOLS

Throughout the installation guide you'll notice the symbols below. It is essential that you always use personal protection equipment where required. Think of the safety of yourself and others at all times.



Wear Protective Gloves



Use RCD Protected Socket



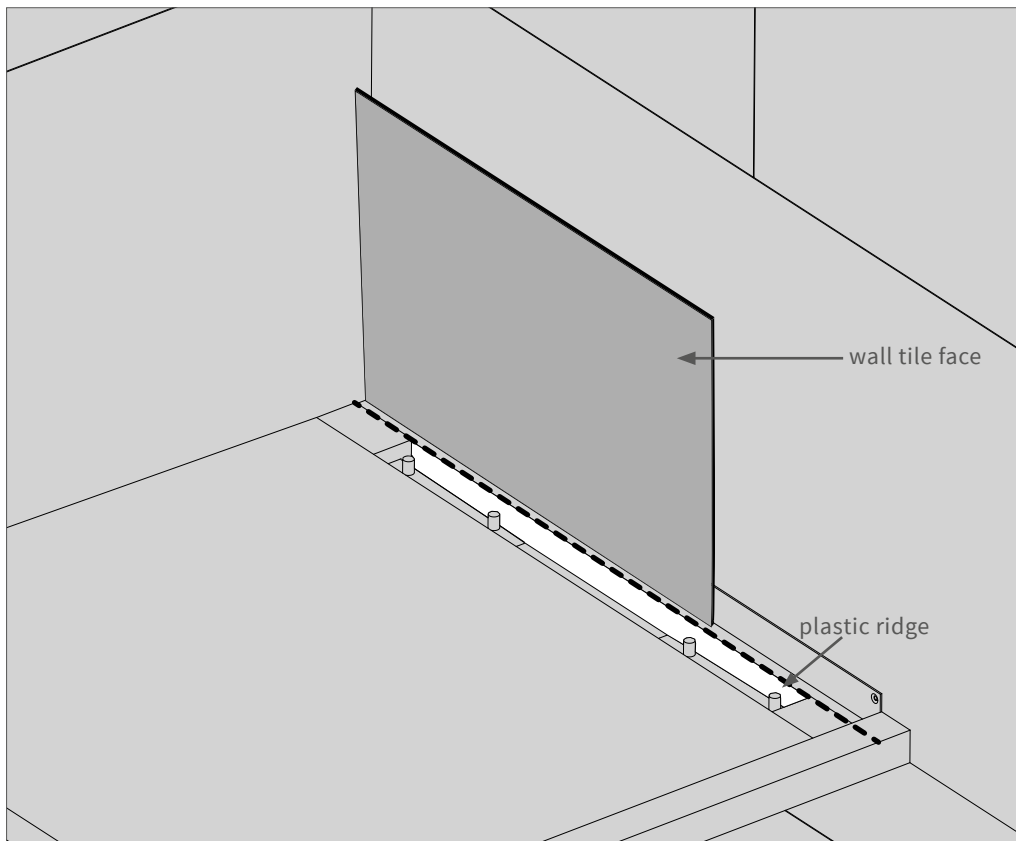
Wear Eye Protection



Wear Dust Mask

Prior to commencing work we recommend that the walls are waterproofed using Waterproof 10mm Boards.

The Infinity Tray is best suited for large format tiles of 12-16mm total thickness including adhesive.



Place the tray in position to check its fit.

The plastic ridge should be in line with the planned finished wall tile face.

Measure the entire floor area and plan the layout on a sheet of paper. Decide if any of the waterproof boards need to be cut and if they do, cut them now using a hard point saw. Lay the entire pack out across the floor area to check the fit.

DO NOT WALK ON OR STAND ANYTHING ON THE SHOWER TRAY OR WATERPROOF BOARDS AS THEY CAN EASILY BE DAMAGED AT THIS STAGE.

Carefully remove the waterproof boards and store somewhere safe.

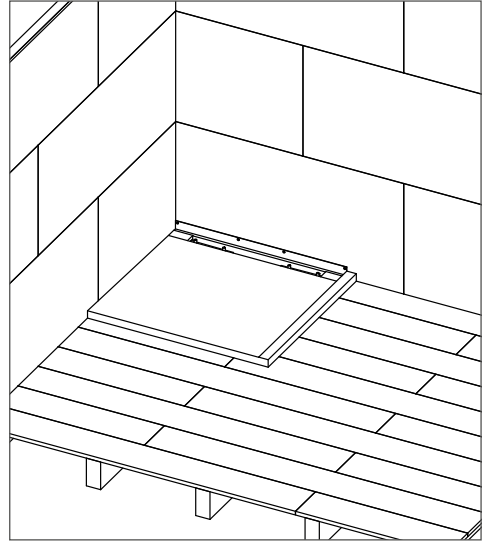
For the tray itself a high slip resistant tile is advised.

Prior to commencing it is advisable to plan tile layout to ensure symmetry with any cut tiles..

INSTALLATION STEPS

1

Place the shower tray in position.

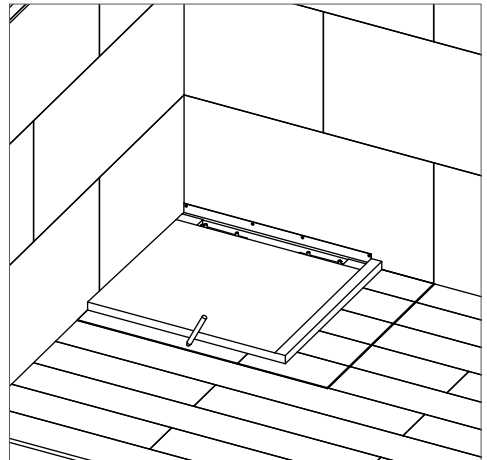


2

Establish the joist positions from the nails or screws holding the existing flooring down.

Where the tray runs across the joists, remove up to the next floor joint.

Where the edge of the shower tray runs in the same direction as the joists, mark the centre line of the first joist outside the shower area as you will need to remove the floor up to this line.

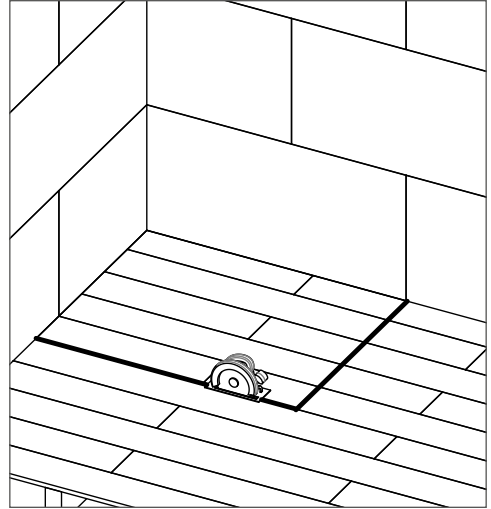


3

Set the circular saw blade to the depth of the floor boards, it may be necessary to increase the depth slightly if it does not go right through the floor boards.

As a safety precaution, we recommend that the circular saw is plugged into an RCD protected socket.

Using the circular saw cut along the lines that you have marked and remove the flooring and all nails or screws carefully.

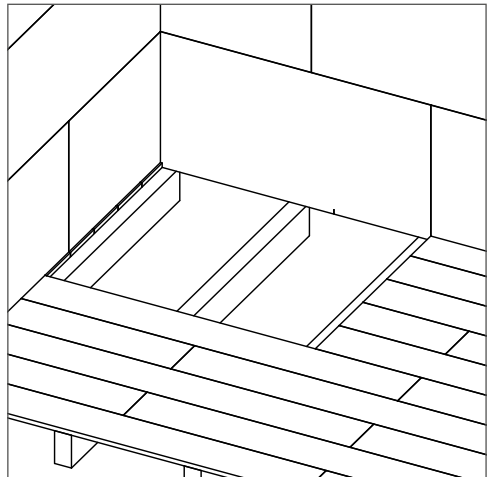


THINK SAFETY



4

Make sure the remaining floor boards or sheets in the rest of the room are fully secured down and as level and flat as possible.

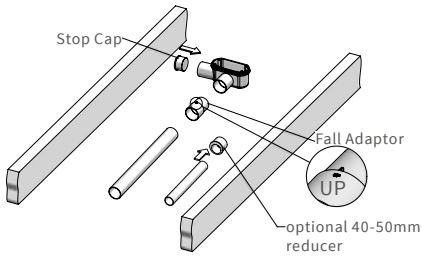


5

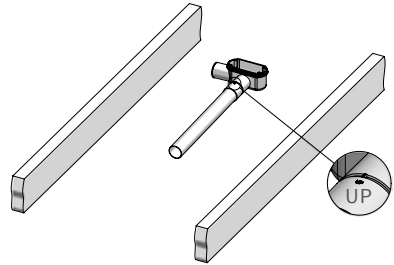
Assemble the drain.

The drain assembly offers several options - typical configurations are shown below.

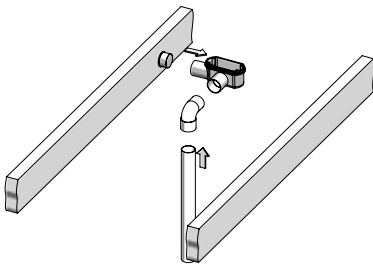
Note: All solvent joints should be cleaned with an appropriate solvent weld cleaner prior to using solvent adhesive.



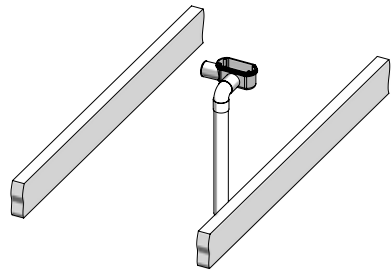
Horizontal exploded - configuration 1



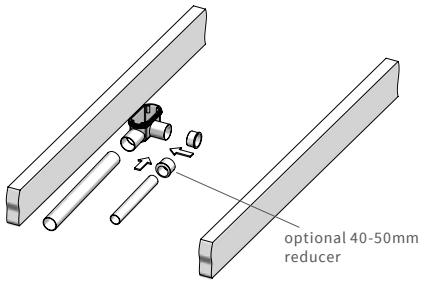
Horizontal assembled - configuration 1



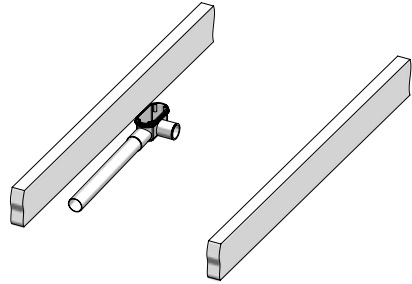
Vertical exploded - configuration 1



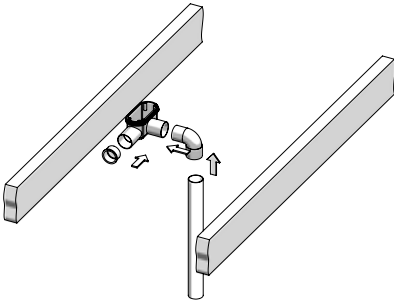
Vertical assembled - configuration 1



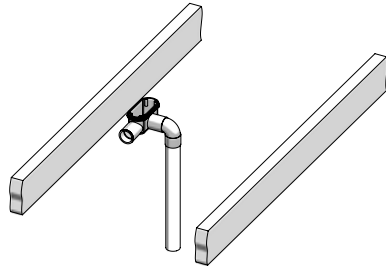
Horizontal exploded - configuration 2



Horizontal assembled - configuration 2



Vertical exploded - configuration 2



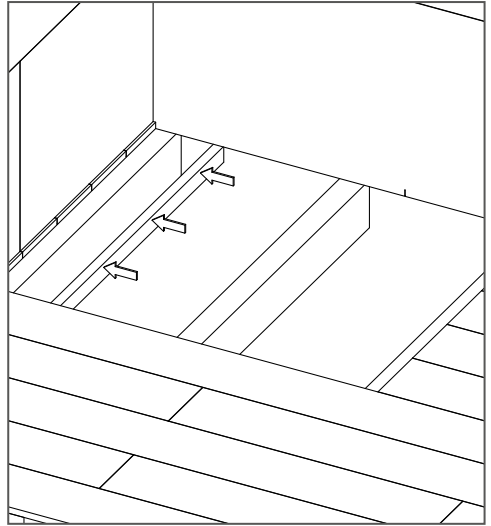
Vertical assembled - configuration 2

6

All exposed joists will now need a batten running along the inside of the joist to accommodate the new plywood low level floor.

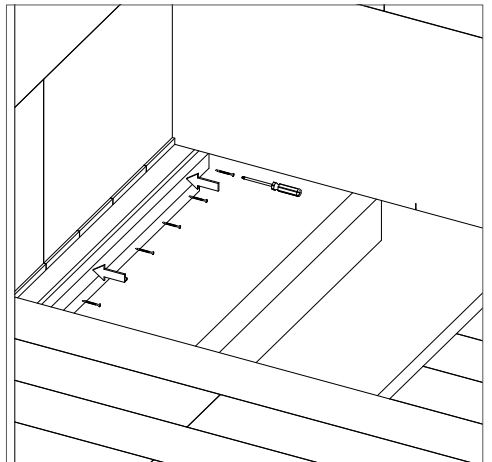
Measure the length of the exposed joist taking into account any obstructions.

Cut some timber batten (approx 20mm x 50mm) to length and screw at approximately 150mm intervals to the inside of all joists 18mm below the top of the joists.



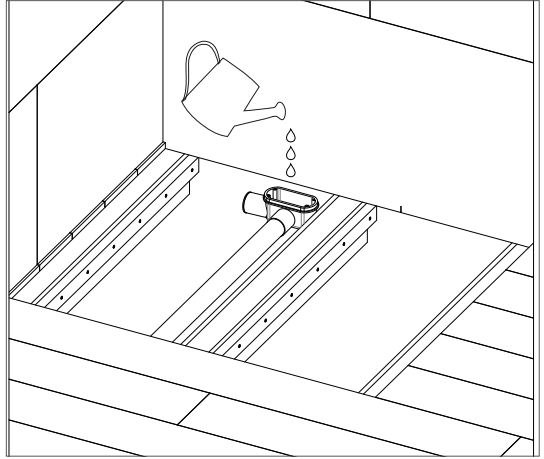
7

Screw the batten to the joist using appropriate fixings 18mm below the joist level to accommodate the new floor deck.



8

Test the waste by pouring water into it, prior to fitting the deck.



9

Cut some 18mm plywood to fill in the area between the joists, ensuring an accurate cut out is left for the waste and trap.

The required cut out measurements are indicated in the diagram to the right. Measurements are taken from the wall side of the tray's upstand.

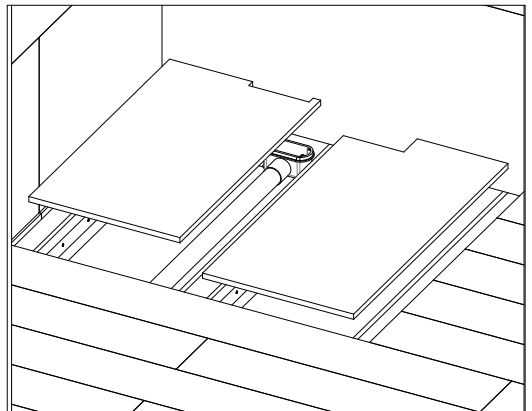
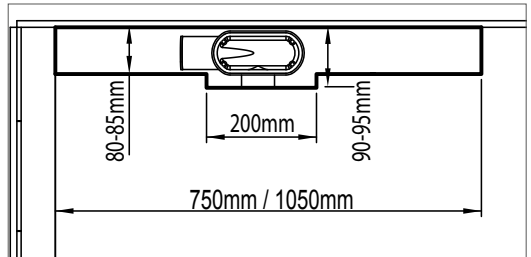


-These MUST NOT be exceeded-

Note:
750mm is for 700mm Infinity drains
1050mm is for 1000mm Infinity drains

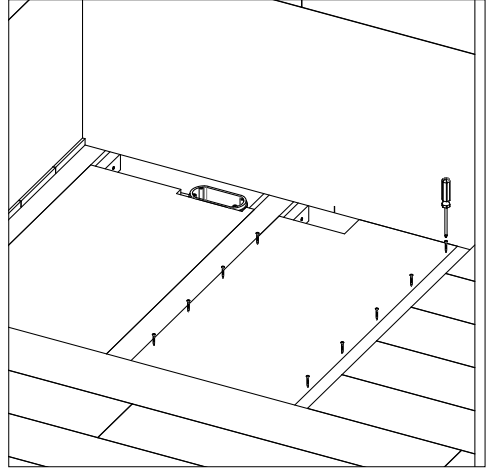
Lay the plywood into position and pilot drill and countersink at approximately 150mm intervals, making sure to avoid any pipes and wires marked on the joists.

ALWAYS ENSURE THERE IS NO MOVEMENT ANYWHERE IN THE 18MM PLY, ESPECIALLY AROUND THE HOLE CUT THROUGH THE 18MM PLY FOR THE WASTE



10

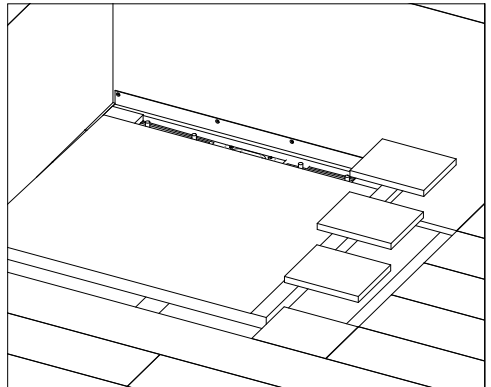
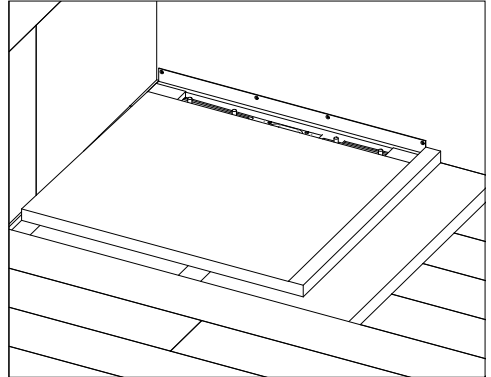
Fix the plywood on top of the timber battens with suitable wood screws.



11

Lay the shower tray into the required position and check the fit.

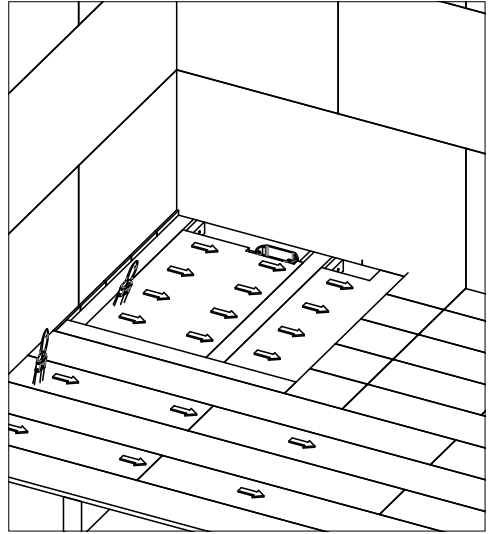
If you are left with a gap this can be filled in using the boards removed earlier.



12

Paint the entire floor area including the new plywood with the acrylic wood floor primer.

THINK SAFETY

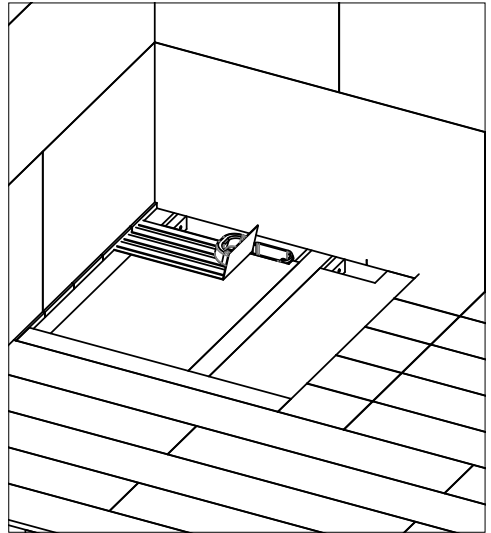


13

Mix a sufficient amount of the Fix-KST adhesive according to the instructions on the bag (approx. 1.0lt to 5kg Fix-KST depending on conditions).

Where the shower tray sits apply the adhesive mix using a notched 4mm trowel.

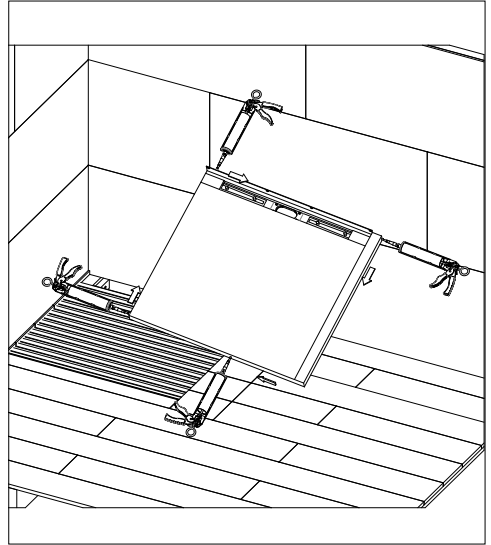
THINK SAFETY



14

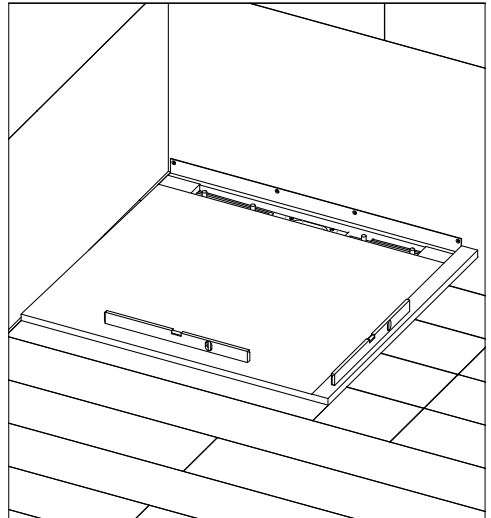
Squeeze a wavy line of Fix-MD along all four edges of the shower tray, including the up-stand where it meets the wall.

THINK SAFETY



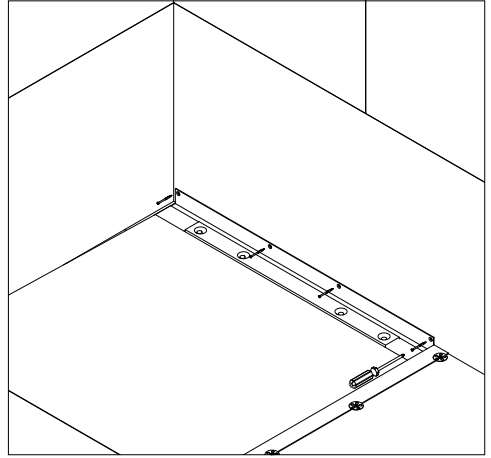
15

Bed the tray onto the adhesive and check it is level in both directions as indicated.



16

Screw back plate to stud wall.

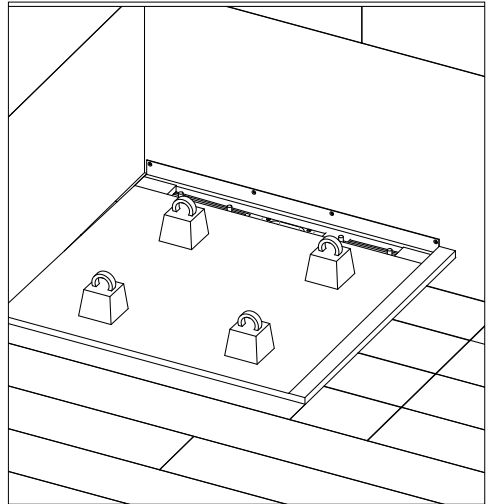


17

While the adhesive cures it is good practice to hold the tray down with weights.

A bag of tile adhesive or similar can be used. This will ensure that the shower base sticks evenly.

Set time for the Fix-KST is approximately 3 to 5 hours depending on conditions.



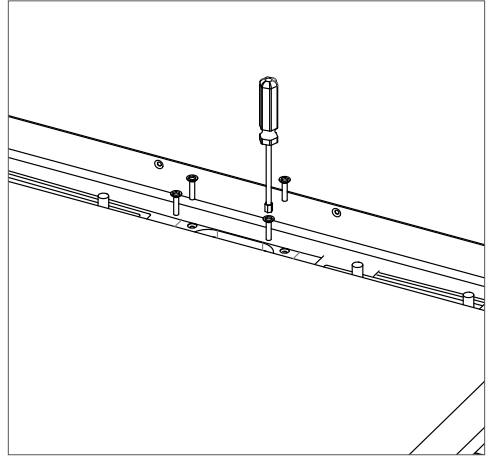
18

Line up the linear drain bowl with the drain top pre-fitted within the shower tray and connect the two together using the four bolts provided.

- WARNING -

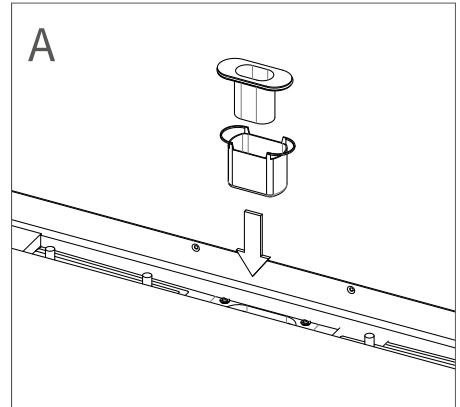
DO NOT OVER TIGHTEN

RECOMMENDED TORQUE IS LESS THAN 1Nm

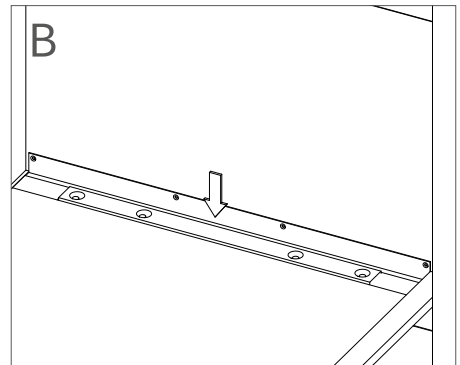


19

A - Ease the shower drain internal bowl into the shower drain base.
Ease the shower drain internal dome into the shower drain base.



B - Place the disposable tiling aid into the shower drain hole on the shower tray.
The tiling aid will protect the drain from debris.

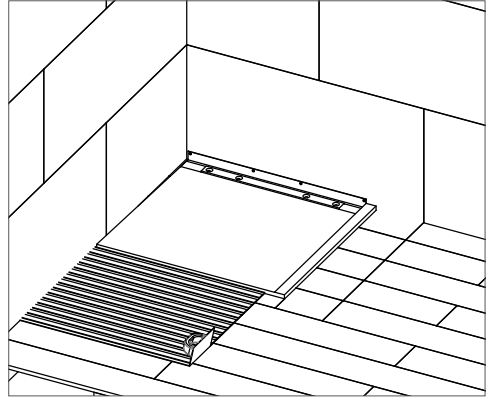


20

Mix further Fix-KST adhesive with water in a clean bucket at approximately 1lt to 5kgs.

Where the first board will sit, spread the adhesive onto the floor and drag the 4mm notched adhesive trowel across the surface to make a ribbed pattern which will leave just the right amount of adhesive on the floor.

Please leave the weights on the tray while the tray is curing to maintain the contact with the adhesive.



THINK SAFETY

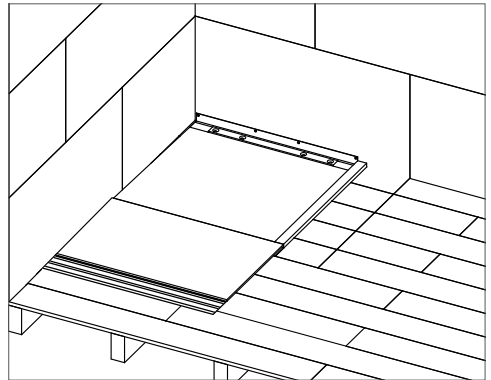


21

Place the first waterproof board into position and bed down onto the adhesive.

The floor is designed to be fitted flat and is fully waterproof. However water will sit on a flat surface.

If the floor immediately outside the showering area is likely to get wet, it is advisable to angle the first board slightly so that water will run back towards the drain.



THINK SAFETY



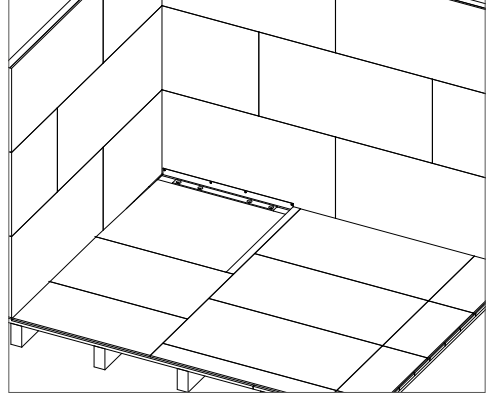
22

Repeat the previous steps for the remaining waterproof boards, mixing further adhesive when required.

When finished you can remove the protective gloves and eye and breathing protection.

Leave to set for approximately 3 to 5 hours.

THINK SAFETY

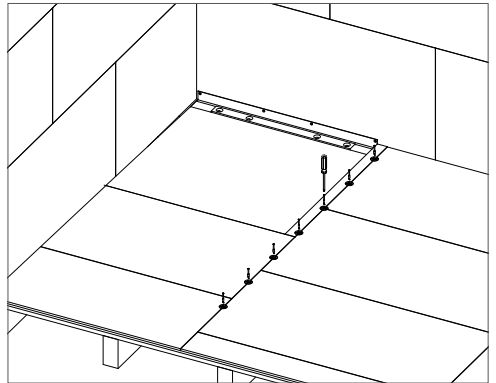


23

Along all joints fit the fixing plate washers at approximately 300mm to 400mm centres.

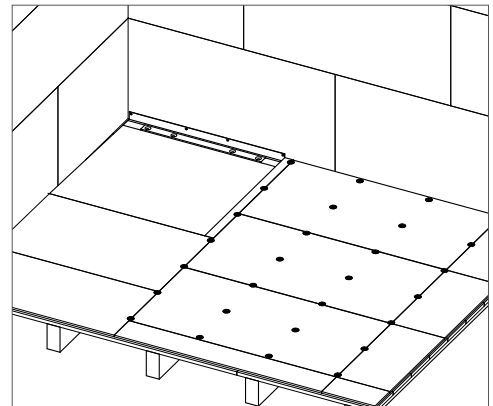
Place the centre hole of the fixing plate washers directly over the joint line and screw to the floor with the fixing plate screws.

THINK SAFETY



24

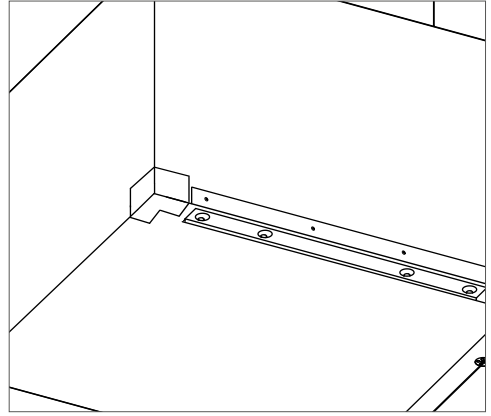
Continue Step 23 for all joints - board and edges.



25

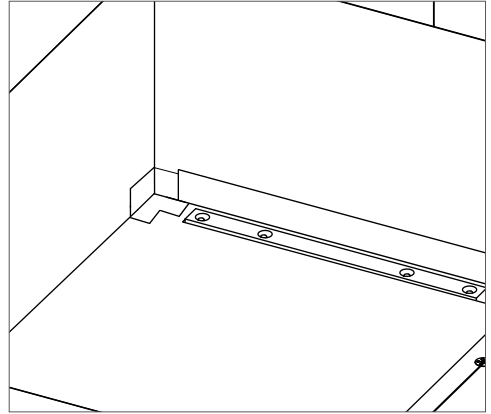
Please Note: The self-adhesive tape is very adhesive. Take care when applying.

Fit the supplied self-adhesive internal corners, pushing them firmly into the corners of the showering area with the supplied roller.



26

Seal the tray upstand using the self-adhesive tape and fix firmly with the seam roller.

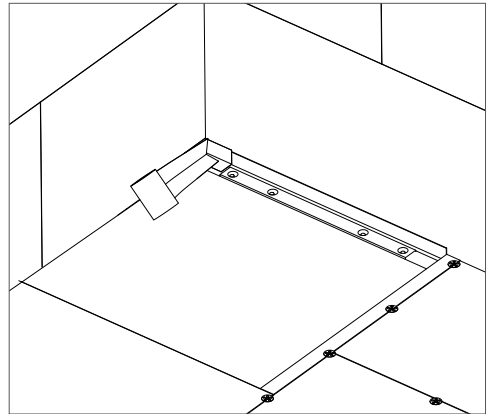


THINK SAFETY



27

Continue to seal around the rest of the tray.
Please Note: The self-adhesive tape is very adhesive. Take care when running the tape around the edges of the tray. It is a good idea to apply the tape by first peeling only one half of the tape and adhering that to the floor using the roller, then folding the other half up the wall, pushing firmly as you go with the roller.



THINK SAFETY



28

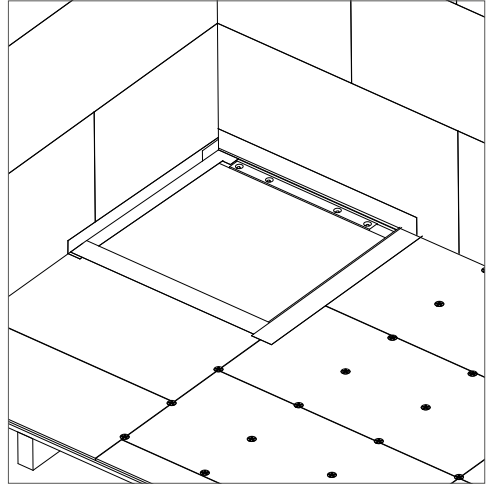
For waterproofing additional backerboard floor joints, cut the waterproofing tape (not self-adhesive) to the correct

lengths to cover all additional joints and fixings, allowing a 20mm overlap on to other tape runs and corners.

Apply a thin layer of Pro-SEAL tape sealer approximately 120mm across all board joints and over all fixing washers.

Place the strips of waterproofing tape across all joints and fixing washers, pressing firmly into the Pro-SEAL tape sealer.

Leave to set for approximately 3 to 5 hours after which the floor is ready for tiling.



The next steps are after the Important Tiling Advice.

THINK SAFETY



IMPORTANT TILING ADVICE

IT IS ESSENTIAL THAT YOU DO NOT USE A READY MIXED TILE ADHESIVE.

S1 FLEXIBLE CEMENT BASED POWDERED ADHESIVE MUST BE USED WITH TILEABLE SHOWER TRAYS.

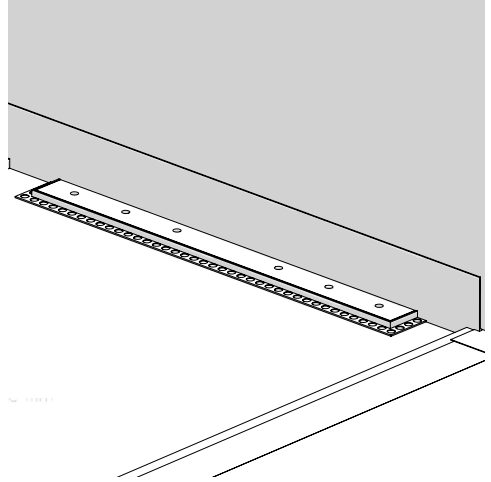
The shower tray has a single slope towards the drain. It is best suited to large format tiles but any size tiles (including mosaics) can be used.

29

Place the disposable tiling aid into the shower drain hole on the shower tray. The tiling aid provides the edge that needs to be tiled up to whilst protecting the drain from debris.

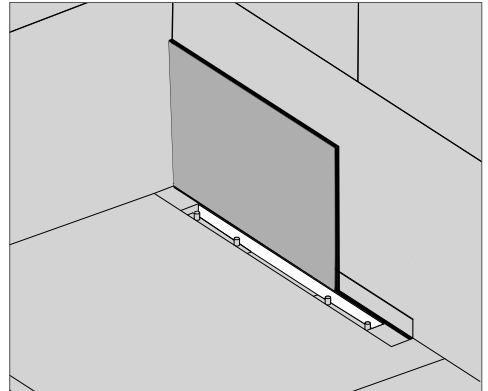
Please Note:

At this stage we recommend fitting tile trim to create a clean finished edge for the drainage gap between the tray and waste cover.



30

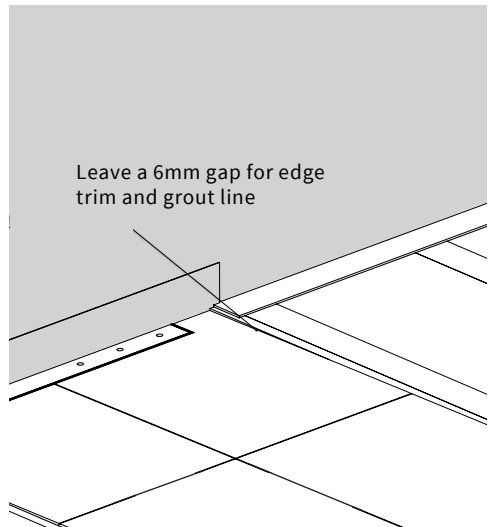
To ensure the Infinity waste is tiled in the best possible way we recommend tiling the wall around the tray area first, bringing the tiles down to the level of the tray surface and out to the ridge on the waste, leaving no horizontal area between this ridge and the wall.



31

After tiling the wall then the tray can be tiled.

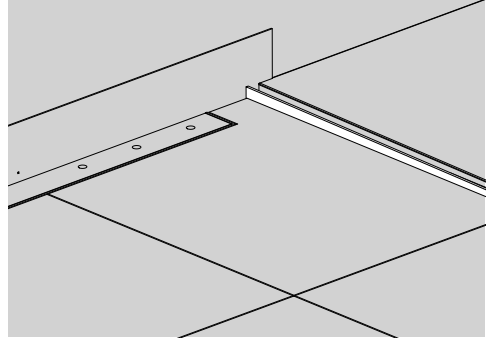
Please leave a 6mm gap along the raised edge of the tray to allow for final positioning of the edge trim.



32

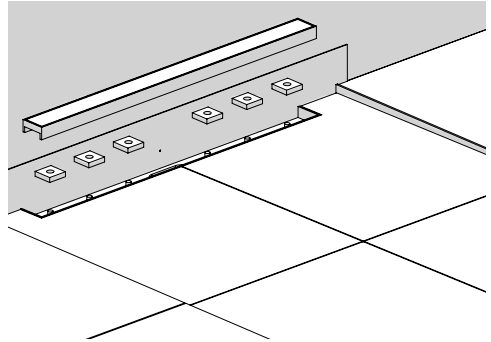
Fix the edge trim and secure with adhesive, ensuring the top of the trim is levelled with the finished floor level. Once the edge trim is in place then any remaining gap can be filled.

The remaining floor area can now be tiled.



33

Cut a piece of tile and fix to the finishing grate.

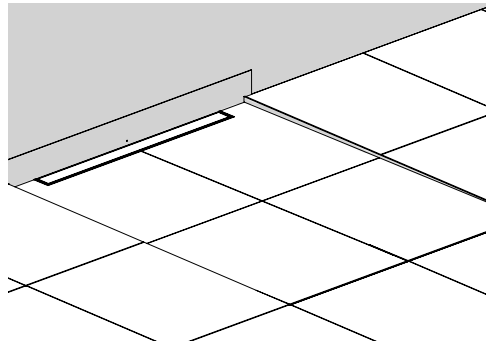


34

The linear drain is supplied with square black plastic height adjustment nuts.

Screw these on to the protruding bolts pre-fitted within the linear drain.

All the black adjustment nuts can now be screwed up or down to ensure the waste cover plate is fitted flush with the finish tile.



You Tube



SCAN TO WATCH

Scan this QR code with your mobile's QR reader to watch our installation video.

